

# TitanSMA

## Installation Quick Reference

Each TitanSMA comes with the hardware necessary to anchor it to a surface such as concrete, masonry, or metal, or to install it freestanding on a flat level surface. This guide provides high level instructions for performing both types of installations. You can view detailed installation instructions, including installation best practices, grounding options, and pre- and post-installation checks in the user guide. You can access the user guide by clicking **Help** in the TitanSMA Web interface or by downloading it from the Nanometrics technical support site.

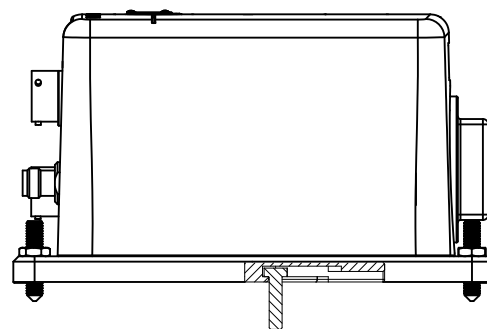
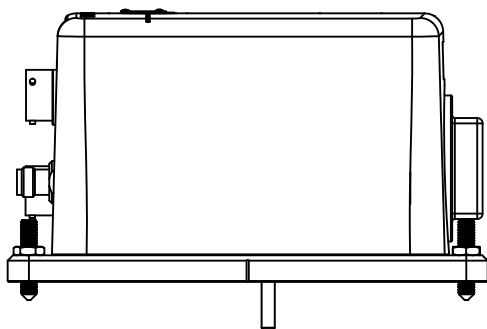
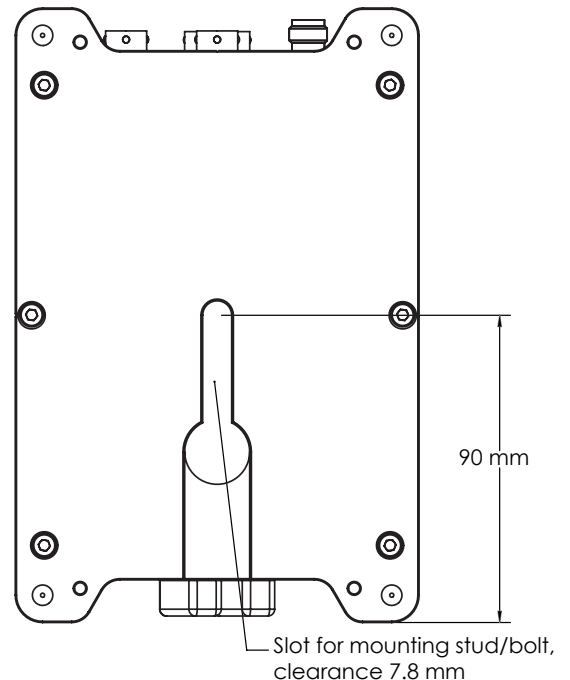


17387R3 • 2013-02-22

© 2013 Nanometrics Inc. All rights reserved.

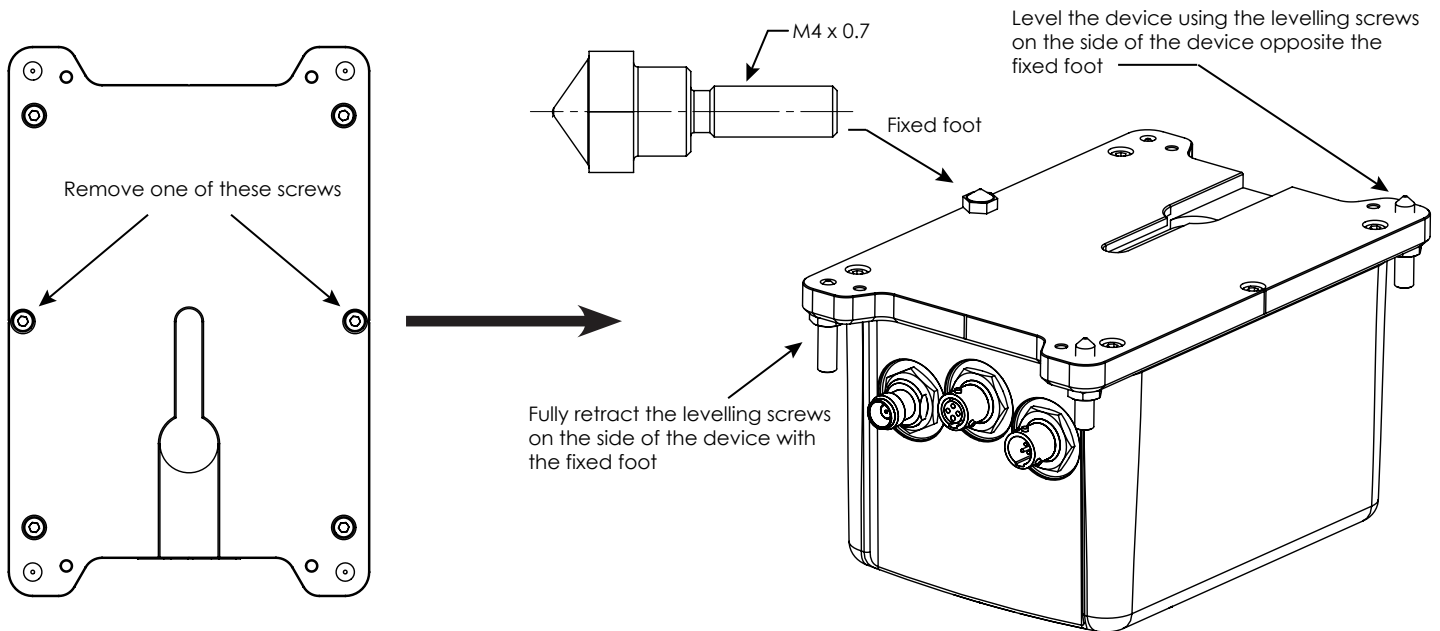
### Performing an Anchored Installation

1. Select and install the appropriate hardware for the surface
  - Concrete or masonry surface: 5/16 in. masonry sleeve anchor bolt (do not use the washer or blue sleeve)
  - Metal (tapped or clearance hole) surface: M6 x 25 hex bolt
  - Ensure that the bottom of anchor/bolt head is 8-12 mm above the installation surface.
2. Strain relieve the cables and connect each cable to the TitanSMA.
3. Fit the head of the anchor/bolt into the mounting slot on the bottom of the TitanSMA.
4. Ground the TitanSMA, as required, to a grounding lug. The lug is supplied by the installer, Nanometrics supplies the M4 x 5 grounding screw and M4 washer.
5. Orient the TitanSMA as necessary, using either a directional orientation or align it with the primary axis of the structure where it is being installed.
6. Adjust and lock the levelling screws. Before locking the screws with a 10 mm wrench, ensure that
  - The levelling bubble is in the centre of the black ring.
  - The levelling screws are extended to the maximum extent permitted by the anchor/bolt, taking care not to over tighten on concrete or masonry surfaces.



## Performing a Freestanding Installation

1. Install the fixed foot supplied with the TitanSMA as shown in the diagrams below. Use a 3 mm Allen key to remove the screw. Tighten the foot to 22 in-lb using an adjustable wrench.



2. Place the TitanSMA on the installation surface so that it is standing on the fixed foot on one side and two levelling screws on the other.
3. Orient the TitanSMA as necessary, using either a directional orientation or align it with the primary axis of the structure where it is being installed.
4. Strain relieve the cables and connect each cable to the TitanSMA.
5. Ground the TitanSMA, as required, to a grounding lug. The lug is supplied by the installer, Nanometrics supplies the M4 x 5 grounding screw and M4 washer.
6. Adjust the levelling screws on the side opposite the fixed foot until the levelling bubble is in the centre of the black ring. Lock the levelling screws when finished by tightening with a 10 mm wrench.

## About Nanometrics

Nanometrics Inc. is a world-class provider of precision instrumentation, network technology and software applications for seismological and environmental research. Nanometrics products are employed for the study and monitoring of regional, national and global seismicity; natural resource exploration; environmental data communications; and other scientific applications. Deployed in over 100 countries, and on every continent, Nanometrics real-time and portable systems are utilized by the world's leading scientific institutions, universities, corporations and test ban treaty monitoring organizations. With state-of-the-art manufacturing facilities in Ottawa, Ontario; Nanometrics is an award-winning Canadian exporter located in the heart of Canada's technology sector.

## Technical Support

If you need technical support, please submit a request on the Nanometrics technical support site or by email or fax. Include a full explanation of the problem and related information such as log files.

Email: [techsupport@nanometrics.ca](mailto:techsupport@nanometrics.ca)

Support site: <http://support.nanometrics.ca>